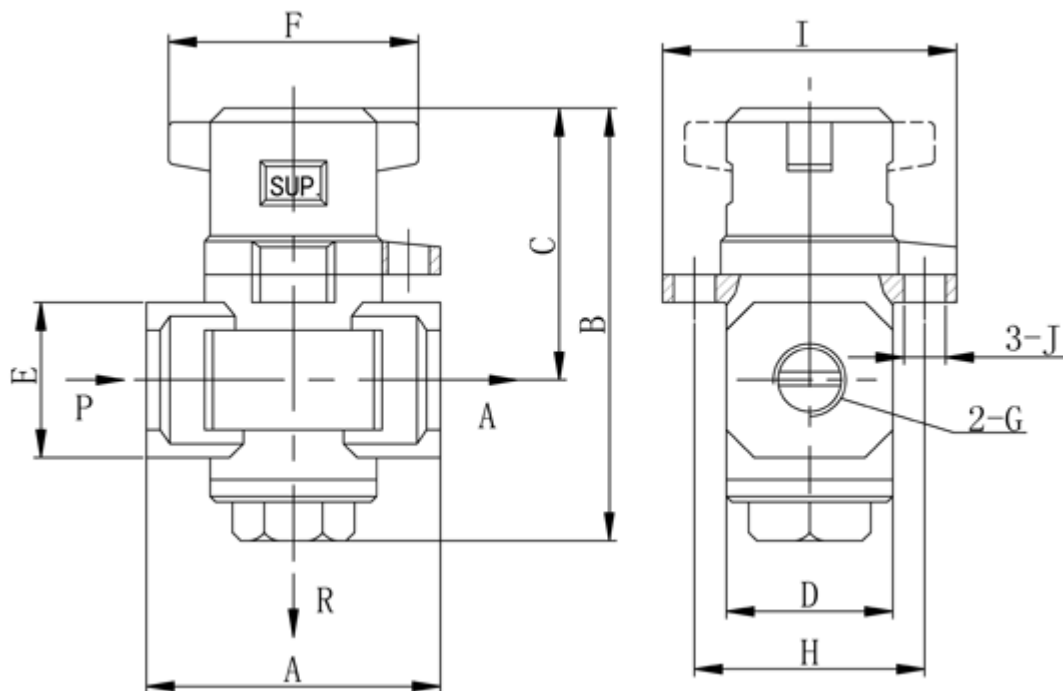


Lockout Valve for Air Pressure Regulator (VHS) Model Dimensions



Model	G, P Port (NPT)	R, Vent Port (NPT)	A	B	C	D	E	F	H	I	J
VHS 2000-01	1/8	1/8	40	59	39	28	22	40	32	41	Ø6
VHS 2000-02	1/4	1/8	40	59	39	28	22	40	32	53	Ø6
VHS 3000-02	1/4	1/4	53	78	49	30	28	45	41.5	53	Ø7.5
VHS 3000-03	3/8	1/4	53	78	49	30	28	45	41.5	53	Ø7.5
VHS 4000-03	3/8	3/8	70	84	52	36	36	45	41.5	53	Ø7.5
VHS 4000-04	1/2	3/8	70	84	52	36	36	45	41.5	53	Ø7.5